


2014 Legacy



Love. It's what makes a Subaru, a Subaru.

 **SUBARU**
Confidence in Motion



Working the corner office or simply chasing the corners.

The 2014 Subaru Legacy

There's a sense of satisfaction in doing things differently than the rest. Like building a sedan that offers surefooted handling and refined smoothness. Intelligent engineering, with a Lineartronic® CVT that gives you more performance for less fuel (32 mpg)¹, and Subaru Symmetrical AWD, designed for quick response and excellent control. And Legacy also offers EyeSight®, an innovative driver-assist system that helps the driver watch for and avoid trouble ahead.² These virtues working together harmoniously in the Legacy deliver the confidence to relish every curve when you chase the things that matter most to you.

¹ EPA estimated fuel economy for 2014 Legacy 2.5i CVT at 32 highway MPG. Actual mileage may vary.

² EyeSight is a driver-assist system which may not operate optimally under all driving conditions. The driver is always responsible for safe and attentive driving. System effectiveness depends on many factors such as vehicle maintenance, weather and road conditions. See Owner's Manual for complete details on system operations and limitations. Please remember to turn off EyeSight when going through a carwash.

Legacy 2.5i Premium in Venetian Red Pearl.
Production model may vary.



Efficient

Legacy lets you experience performance and save money at the same time with up to 32 highway MPG¹ when you opt for the available Lineartronic[®] CVT.

Sporty

A choice of refined and thrilling engines. Precise rack-and-pinion steering. Independent front and double-wishbone rear suspension. They combine with the grip of Subaru Symmetrical All-Wheel Drive to deliver a performance that's smooth, powerful and responsive.

Comfortable

A spacious cabin with all of the technology to make every trip enjoyable, the Legacy is built to ease the burden of every commuter's minute and increase the driver's enjoyment of every open mile.

Protective

From the available EyeSight[®] Driver-Assist System² to its comprehensive accident avoidance and protection engineering, there are many safety features that make Legacy a 2013 IIHS Top Safety Pick Plus and Top Safety Pick for eight years running (2006–2013).³

¹ EPA estimated fuel economy for 2014 Legacy 2.5i CVT at 32 highway MPG. Actual mileage may vary.
² EyeSight is a driver-assist system which may not operate optimally under all driving conditions. The driver is always responsible for safe and attentive driving. System effectiveness depends on many factors such as vehicle maintenance, weather and road conditions. See Owner's Manual for complete details on system operations and limitations. Please remember to turn off EyeSight when going through a carwash.
³ Top Safety Pick Plus winners must earn good ratings for occupant protection in at least 4 of 5 evaluations, with no less than acceptable in the fifth test. Ratings based on Insurance Institute for Highway Safety's (IIHS's) 40-mile-per-hour moderate overlap frontal crash test, 40-mile-per-hour small overlap frontal crash test, 31-mile-per-hour side-impact test, 20-mile-per-hour rear-impact test, and roof-strength test. For more information, contact IIHS or visit their website at www.iihs.org.



Good ideas fuel great drives.



Connect your drive
in real time.

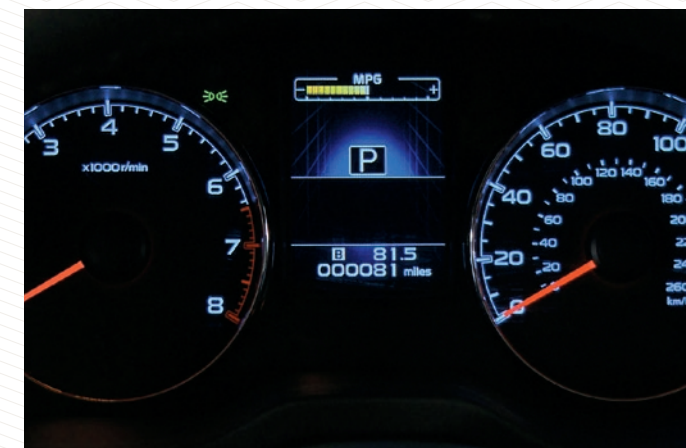


Interior Features

Making every drive easier is the goal of what's inside a Legacy. Bluetooth® wireless capability allows you to make calls hands-free and stream music from your Bluetooth®-enabled phone or MP3 player. And because being comfortable is just as important as being connected, your passengers will appreciate the spacious headroom and legroom located throughout.

There's also an available voice-activated touch-screen navigation system to help you find your way. It includes the Aha™ connected service¹ via the Subaru STARLINK™ system with seamless access to web content such as podcasts, internet radio, audiobooks and personalized restaurant and hotel searches.

¹ Compatible smartphone and free Aha app required. For Aha to operate, latest version of Aha application and optional integrated audio and navigation system unit required. Data provided by smartphone is displayed on navigation screen. Some state laws prohibit the operation of handheld electronic devices while operating a vehicle. Smartphone apps should only be launched when vehicle is safely parked. Aha is a trademark of HARMAN International Industries, Incorporated. Your wireless carrier's rates may apply.



Connect your drive
in real time.



Legacy 2.5i Limited with Warm Ivory Leather and optional equipment.

Rear Seat Entertainment System

Help everyone enjoy the drive with the accessory Rear Seat Entertainment System. It includes two 7-inch LCD monitors and two DVD players integrated right into the front-seat headrests. The dual-screen system allows rear passengers to watch movies, listen to music or play games either simultaneously or independently of each other. There's also a remote control and wireless headphones¹ for your convenience. Plus, it's iPod^{®2} and MP3 compatible, and includes an AV jack for game consoles and more.

¹ Headphones are for rear passengers use only.
² iPod accessory is not included.





11 | 2014 Legacy

Comfortable. Refined. Accommodating.

Legacy 3.6R Limited with Off-Black Leather and optional equipment.



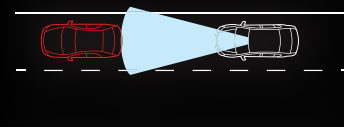
© 2014 Subaru

There's more to Legacy than meets the eye.



Pre-Collision Braking

A driver ahead unexpectedly hits the brakes or cuts you off. EyeSight^{®1} warns you, applies brakes to help avoid a collision, and at lower speeds can even help you stop your Subaru.



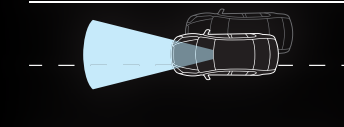
Adaptive Cruise Control

Traffic doesn't always flow, so EyeSight[®] doesn't only keep a set speed. The system looks ahead and helps automatically adjust to keep your distance, even in stop-and-go highway traffic.



Pre-Collision Throttle Management

You put the car in Drive instead of Reverse. EyeSight[®] cuts power when it sees an object in your path to help you avoid accelerating into it.



Lane Departure and Sway Warning

You accidentally drift to the edge of your lane and begin to cross into another. EyeSight[®] watches for lane markers and chimes to warn you before you leave yours.

¹ EyeSight is a driver-assist system which may not operate optimally under all driving conditions. The driver is always responsible for safe and attentive driving. System effectiveness depends on many factors such as vehicle maintenance, weather and road conditions. See Owner's Manual for complete details on system operations and limitations. Please remember to turn off EyeSight when going through a carwash.

The forecast calls for
complete composure.



Legacy 2.5i Sport in Venetian Red Pearl.

Smart ideas for the drive and the driven.



Suspension

Its tuned suspension enhances handling by reducing body roll. The double-wishbone rear suspension deflects the worst of the bumps without unsettling the chassis. With MacPherson struts up front, it's a tight, yet supple ride that always leaves you feeling in touch and in control.



AWD Control

The traction and balance of Subaru Symmetrical All-Wheel Drive and the stability of the SUBARU BOXER® engine provide you with the responsiveness to seize the road and readiness to react to hazards. Legacy also comes standard with VDC electronic stability control, which can detect a loss of control and intervene to help keep you on your intended path.



Innovative Safety

A 2013 IIHS Top Safety Pick Plus and Top Safety Pick for eight years running (2006–2013),¹ the Legacy is comprehensively engineered to help keep you safe on the road. Protecting the passenger area, there's a Ring-shaped Reinforcement Frame, six standard airbags² and the SUBARU BOXER® engine that's designed to push down and away from the passenger area in a collision. There's also EyeSight®, an available driver-assist system that monitors the road ahead and if necessary will deliver a warning or even apply brakes to help your Legacy avoid an accident.³



CVT

The Lineartronic® CVT can reduce the amount you spend on fuel by eliminating the need to shift, thereby preserving momentum with smooth continuous power. In automatic mode, it infinitely adjusts the transmission to match your immediate driving needs. Or use the paddle shifters and 6-speed manual mode for quick access to power and torque on the fly.



Power

With a choice of a 173-hp 2.5-liter engine with available Lineartronic® CVT, or a 256-hp 3.6-liter engine with 5-speed automatic transmission, you are sure to find a Legacy that matches your performance needs.



Technology

Available features like dual-zone digital climate control help keep you comfortable, while a USB for your iPod®, HD Radio®, SiriusXM® Satellite Radio⁴ and Bluetooth® hands-free connectivity keep you connected and entertained.

¹ Top Safety Pick Plus winners must earn good ratings for occupant protection in at least 4 of 5 evaluations, with no less than acceptable in the fifth test. Ratings based on Insurance Institute for Highway Safety's (IIHS's) 40-mile-per-hour moderate overlap frontal crash test, 40-mile-per-hour small overlap frontal crash test, 31-mile-per-hour side-impact test, 20-mile-per-hour rear-impact test, and roof-strength test. For more information, contact IIHS or visit their website at www.iihs.org.

² Always wear your seatbelts. Children should be properly restrained in the rear seat.

³ EyeSight is a driver-assist system which may not operate optimally under all driving conditions. The driver is always responsible for safe and attentive driving. System effectiveness depends on many factors such as vehicle maintenance, weather and road conditions. See Owner's Manual for complete details on system operations and limitations. Please remember to turn off EyeSight when going through a carwash.

⁴ Three-month trial subscription included when a dealer- or port-installed accessory or a four-month trial subscription included when factory-installed. Activation and required monthly subscription sold separately. See your dealer.

“If you’re looking for a sedan as well regarded for its safety as its comfort, the 2013 Subaru Legacy deserves a long look. A huge back seat and cavernous trunk are definite pluses, but it’s the Legacy’s sure-footed standard AWD, impressive crash test ratings and excellent fuel economy that we love.”¹

— KBB.com, 2013 Legacy Review

“Subaru has racked up more endorsements by independent arbiters of automotive quality and safety than just about any other manufacturer.”²

— FORTUNE Magazine, December 3, 2012



¹ From 2013 Subaru Legacy Review on Kelley Blue Book's www.kbb.com. Kelley Blue Book is a registered trademark of Kelley Blue Book Co., Inc.

² Excerpted from FORTUNE Magazine, December 3, 2012 © 2012 Time Inc. Used under license. FORTUNE and Time Inc. are not affiliated with, and do not endorse products or services of, Subaru.

Legacy 2.5i Limited in Ice Silver Metallic with optional and accessory equipment.

2014 Legacy | Trim Levels



2.5i

- 173-hp 2.5-liter 4-cylinder SUBARU BOXER® engine
- Subaru Symmetrical All-Wheel Drive
- 6-speed manual transmission or optional Lineartronic® CVT (Continuously Variable Transmission) with manual-mode paddle shifters
- 16-inch steel wheels with covers
- Cloth upholstery
- Silver metallic interior trim
- 6-way manually adjustable driver's seat. 4-way manually adjustable front-passenger's seat.
- 4-speaker single-CD audio system with Bluetooth® connectivity, 3.5-mm auxiliary jack and USB port/iPod® control
- Manually adjustable CFC-free air conditioning system with air filtration
- Auto-on/off headlights



2.5i Limited

- Includes 2.5i Premium key features and adds:**
- Fog lights
 - Leather-trimmed upholstery
 - Woodgrain-patterned accent interior trim
 - 10-way power adjustable driver's seat. 4-way power adjustable front-passenger's seat.
 - Dual-zone automatic climate control system with center console rear vents
 - Single-CD premium audio system with 4.3-inch LCD display, 9 Harman Kardon speakers, including subwoofer, 440-watt Harman Kardon amplifier, HD Radio®, USB port/iPod® control, SiriusXM® Satellite Radio¹, Bluetooth® audio streaming and hands-free phone connectivity, 3.5-mm auxiliary jack and Rear-Vision Camera²
 - Electroluminescent gauges with LCD color display



2.5i Premium

- Includes 2.5i key features and adds:**
- Lineartronic® CVT (Continuously Variable Transmission)
 - 17-inch aluminum-alloy wheels
 - Body-color side mirrors
 - Bright-finish exhaust outlet
 - 10-way power adjustable driver's seat. 4-way manually adjustable front-passenger's seat.
 - Leather-wrapped steering wheel and shifter handle
 - 6-speaker single-CD audio system with 4.3-inch LCD display, HD Radio®, USB port/iPod® control, SiriusXM® Satellite Radio¹, Bluetooth® audio streaming and hands-free phone connectivity, 3.5-mm auxiliary jack and Rear-Vision Camera²
 - Driver's auto-up/down power window
 - All-Weather Package



3.6R Limited

- 256-hp 3.6-liter 6-cylinder SUBARU BOXER® engine
- Subaru Symmetrical All-Wheel Drive
- 5-speed automatic transmission with manual-mode paddle shifters
- 17-inch aluminum-alloy wheels
- Fog lights
- Dual bright-finish exhaust outlets
- Body-color side mirrors
- Leather-trimmed upholstery
- Woodgrain-patterned accent interior trim
- 10-way power adjustable driver's seat. 4-way power adjustable front-passenger's seat.
- Single-CD premium audio system with 4.3-inch LCD display, 9 Harman Kardon speakers, including subwoofer, 440-watt Harman Kardon amplifier, HD Radio®, USB port/iPod® control, SiriusXM® Satellite Radio¹, Bluetooth® audio streaming and hands-free phone connectivity, 3.5-mm auxiliary jack and Rear-Vision Camera²
- Dual-zone automatic climate control system with center console rear vents
- Driver's auto-up/down power window
- Electroluminescent gauges with LCD color display
- All-Weather Package



2.5i Sport

- Includes 2.5i Premium key features and adds:**
- 18-inch aluminum-alloy wheels with gray machine finish
 - Fog lights
 - Carbon fiber-patterned accent interior trim
 - Power tilt/sliding-glass moonroof
 - Auto-dimming rearview mirror with HomeLink®
 - Rear-Vision Camera

¹ Activation and required monthly subscription sold separately. Includes 4-month trial subscription. See your dealer.
² Requires Power Moonroof Package.

2014 Legacy | Specifications

Engine and Drivetrain		2.5i	3.6R
Power Torque	2.5-liter DOHC aluminum-alloy 16-valve 4-cylinder horizontally opposed SUBARU BOXER® engine with Active Valve Control System. 173 hp @ 5,600 rpm 174 lb-ft @ 4,100 rpm	●	—
	3.6-liter DOHC aluminum-alloy 24-valve 6-cylinder horizontally opposed SUBARU BOXER® engine with Dual Active Valve Control System. 256 hp @ 6,000 rpm 247 lb-ft @ 4,400 rpm	—	●
Manual Transmission	Fully synchronized 6-speed manual with Hill Holder®. 2.5i: Standard. 2.5i Premium, 2.5i Sport and 2.5i Limited: Not Available.	●	—
Automatic Transmission	Lineartronic® CVT (Continuously Variable Transmission) with Adaptive Control, Hill Holder® and 6-speed manual mode with paddle shifters. 2.5i: Optional. 2.5i Premium, 2.5i Sport and 2.5i Limited: Standard.	○	—
	Standard 5-speed automatic with Hill Holder®, manual mode, paddle shifters and downshift rev-matching control.	—	●
CA Emissions		LEV2/PZEV ¹	ULEV2
Traction and Stability			
All-Wheel Drive type	Subaru Symmetrical All-Wheel Drive	●	●
Vehicle Dynamics Control (VDC)	VDC electronic stability control utilizes sensors which constantly monitor wheel speeds, steering angle, brake pressure, vehicle yaw rate and lateral g-forces. If VDC detects a difference between the driver's intended path and the one the vehicle is actually taking, VDC applies braking power and/or reduces engine torque to help correct vehicle path.	●	●
Traction Control System (TCS)	VDC also incorporates an all-wheel, all-speed traction control system which senses a loss of traction and applies braking force to the slipping wheel or wheels as necessary to maintain vehicle motion.	●	●
Fuel			
Fuel Economy	city/highway/combined ²	Manual: 21/29/24 mpg CVT: 24/32/27 mpg	18/25/20 mpg
Fuel Requirement	Unleaded gasoline (87 octane)	●	●
Fuel Capacity	18.5 gallons	●	●
Chassis			
Steering	Quick-ratio power-assisted rack-and-pinion. Turning circle: 36.8 feet	●	●
Suspension	4-wheel independent. Front: MacPherson strut type. Stabilizer bar. Rear: Double wishbone. Stabilizer bar.	●	●
Brakes	4-wheel disc. 2.5i, 2.5i Premium, 2.5i Sport and 2.5i Limited: ventilated front. 3.6R Limited: ventilated front and rear. 4-channel, 4-sensor ABS with Electronic Brake-force Distribution (EBD).	●	●

2014 Legacy | Specifications

Chassis (continued)		2.5i	3.6R
Brake Discs (front/rear)	2.5i, 2.5i Premium, 2.5i Sport and 2.5i Limited: 11.6 inches/11.3 inches. 3.6R Limited: 12.4 inches/11.4 inches	●	●
Brake Assist	When emergency braking is detected by how quickly the brake pedal is pressed, maximum brake pressure is immediately applied.	●	●
Brake Override System	If both brake and accelerator pedals are pressed simultaneously, the system reduces the operation of the accelerator pedal to help prevent unintentional vehicle acceleration.	●	●
Wheels and Tires			
Wheels	2.5i: 16 x 6.5-inch steel with wheel covers.	●	—
	2.5i Premium and Alloy Wheel Package: 17 x 7.5-inch 5-split-spoke aluminum-alloy. Silver finish.	●	—
	2.5i Sport: 18 x 7.5-inch 5-split-spoke aluminum-alloy. Gray with machine finish.	●	—
	2.5i Limited and 3.6R Limited: 17 x 7.5-inch 5-split-spoke aluminum-alloy. Machine finish.	●	●
Tires	2.5i: 205/60 R16 91V All-season	●	—
	2.5i Premium, 2.5i Limited and Alloy Wheel Package: 215/50 R17 90V All-season	●	—
	2.5i Sport: 225/45 R18 91V All-season	●	—
	3.6R Limited: 225/50 R17 93V All-season	—	●
Spare Tires	Temporary use T135/80 R16	●	—
	Temporary use T135/70 R17	—	●

2014 Legacy | Equipment

Exterior	2.5i	2.5i Premium	2.5i Sport	2.5i Limited	3.6R Limited
Projector-beam low-beam and multireflector high-beam headlights	●	●	●	●	●
Fog lights	□/○ ³	□	●	●	●
Black folding side mirrors	●	—	—	—	—
Body-color folding side mirrors	—	●	●	●	●
Heated side mirrors and windshield wiper de-icer (All-Weather Package)	—	●	●	●	●
Single bright-finish exhaust outlet	—	●	●	●	—
Dual bright-finish exhaust outlets	—	—	—	—	●
Power tilt/sliding-glass moonroof (96% UV light reducing)	—	○ ⁴	●	○ ⁴	○ ⁴

Seating and Trim

6-way manually adjustable driver's seat. 4-way manually adjustable front-passenger's seat.	●	—	—	—	—
10-way power adjustable driver's seat with power adjustable lumbar support. 4-way manually adjustable front-passenger's seat.	—	●	●	—	—
10-way power adjustable driver's seat with power adjustable lumbar support. 4-way power front-passenger's seat.	—	—	—	●	●
Heated front seats (All-Weather Package)	—	●	●	●	●
65/35-split flat-folding rear seatback	●	●	●	●	●
Leather-wrapped steering wheel and shifter handle	—	●	●	●	●
Cloth upholstery	●	●	●	—	—
Leather-trimmed upholstery	—	—	—	●	●
Silver metallic accent trim on doors and console	●	●	—	—	—
Carbon fiber-patterned accent trim on doors and console	—	—	●	—	—
Woodgrain-patterned accent trim on doors and console	—	—	—	●	●

Convenience Features

Electronic parking brake with Hill Holder [®] function	●	●	●	●	●
Rear-Vision Camera	—	○ ⁴	●	○ ⁴	○ ⁴
Auto-on/off headlights	●	●	●	●	●
Auto-dimming rearview mirror with HomeLink [®]	—	○ ⁴	●	○ ⁴	○ ⁴
Driver's auto-up/down power window	—	●	●	●	●
Electronic cruise control	●	●	●	●	●
3-spoke steering wheel with audio system, cruise control and Bluetooth [®] buttons	●	—	—	—	—
Leather-wrapped 3-spoke steering wheel with audio system, Bluetooth [®] , cruise control or (if equipped) EyeSight [®] adaptive cruise control buttons	—	●	●	●	●
Automatic transmission or Lineartronic [®] CVT transmission paddle shifters	○	●	●	●	●
Manually adjustable tilt/telescoping steering column	●	●	●	●	●
8 cup holders	●	●	●	●	●
Overhead console with dual maplights	●	●	●	●	●

Audio System

4-speaker single-CD audio system with USB port/iPod [®] control, Bluetooth [®] audio streaming and hands-free phone connectivity, and 3.5-mm auxiliary jack	●	—	—	—	—
6-speaker single-CD audio system with 4.3-inch LCD display, HD Radio [®] , USB port/iPod [®] control, SiriusXM [®] Satellite Radio ⁵ , Bluetooth [®] audio streaming and hands-free phone connectivity, 3.5-mm auxiliary jack and Rear-Vision Camera ⁴	—	●	●	—	—
Single-CD premium audio system with 4.3-inch LCD display, 9 Harman Kardon speakers, including subwoofer, 440-watt Harman Kardon amplifier, HD Radio [®] , USB port/iPod [®] control, SiriusXM [®] Satellite Radio ⁵ , Bluetooth [®] audio streaming and hands-free phone connectivity, 3.5-mm auxiliary jack and Rear-Vision Camera ⁴	—	—	—	●	●

Climate Control

Manually adjustable CFC-free air-conditioning system with rotary controls for temperature and 4-speed fan	●	●	●	—	—
Dual-zone automatic digital climate control system with controls for temperature, 6-speed fan, airflow direction, dual-zone lockout, CFC-free air conditioning and center console rear vents	—	—	—	●	●

2014 Legacy | Equipment

Instrumentation	2.5i	2.5i Premium	2.5i Sport	2.5i Limited	3.6R Limited
Analog speedometer, tachometer, "eco" fuel economy and fuel level gauges	●	●	●	—	—
Analog speedometer, tachometer, coolant temperature and fuel level gauges. LCD color display with "eco" fuel economy gauge and (if equipped) EyeSight [®] system functions. Multifunction display with driving range, average fuel economy, clock and ambient temperature	—	○ ⁶	—	●	●
	●	●	●	●	●

Security

Keyless entry system with answer-back electronic chirp	●	●	●	●	●
Antitheft security system with engine immobilizer	●	●	●	●	●

Safety

ACTIVE	2.5i	2.5i Premium	2.5i Sport	2.5i Limited	3.6R Limited
Subaru Symmetrical All-Wheel Drive (AWD)	●	●	●	●	●
Vehicle Dynamics Control (VDC)	●	●	●	●	●
Traction Control System (TCS)	●	●	●	●	●
4-wheel antilock braking system (ABS) with Electronic Brake-force Distribution (EBD)	●	●	●	●	●
Brake Assist	●	●	●	●	●
Brake Override System	●	●	●	●	●
EyeSight [®] Driver-Assist System ⁷	—	○	—	○	○
Daytime Running Lights (DRL)	●	●	●	●	●
Tire Pressure Monitoring System (TPMS)	●	●	●	●	●
PASSIVE	2.5i	2.5i Premium	2.5i Sport	2.5i Limited	3.6R Limited
Driver's and front-passenger's front airbags (SRS) ⁸	●	●	●	●	●
Subaru advanced frontal airbag system (SRS) ⁸	●	●	●	●	●
Seat-mounted front side-impact airbags (SRS) ⁸	●	●	●	●	●
Side-curtain airbags protecting front and rear outboard occupants (SRS) ⁸	●	●	●	●	●
Whiplash-protection front seats	●	●	●	●	●
Height-adjustable front-seat head restraints	●	●	●	●	●
Height-adjustable 3-point front seatbelts with pretensioners and force limiters	●	●	●	●	●
3-point seatbelts at all rear seating positions	●	●	●	●	●
LATCH system: Lower Anchors and Tethers for Children	●	●	●	●	●

Optional Equipment

EyeSight [®] Driver-Assist System ⁷ : Pre-Collision Braking System, Pre-Collision Throttle Management, Lane Departure and Sway Warning, Adaptive Cruise Control	—	○ ^{4,9}	—	○ ^{4,10}	○ ^{4,10}
Power Moonroof Package: Power tilt/sliding-glass moonroof (96% UV light reducing), auto-dimming rearview mirror with HomeLink [®] and Rear-Vision Camera	—	○	●	○	○
Navigation System Package: Voice-activated 7-inch high-resolution touch-screen GPS navigation system with Subaru STARLINK [™] system with Aha [™] connected service ¹¹ , SiriusXM [®] Satellite Radio ⁵ and NavTraffic ^{®5} , USB port/iPod [®] control, Bluetooth [®] audio streaming and hands-free phone connectivity, 3.5-mm auxiliary jack, Rear-Vision Camera, and 9 Harman Kardon speakers and amplifier (2.5i Limited and 3.6R Limited only)	—	○ ⁴	○	○ ⁴	○ ⁴
Alloy Wheel Package: 17-inch alloy wheels and fog lights	○	—	—	—	—
Lineartronic [®] CVT (Continuously Variable Transmission)	○	●	●	●	—

● Standard ○ Optional — Not equipped □ Available dealer-installed accessory

1 2014 Legacy 2.5L models achieving a Partial Zero Emission Vehicle (PZEV) rating by the California Air Resources Board are available in all 50 states. Only those registered in California, Connecticut, Maine, Maryland, Massachusetts, New Jersey, New York, Rhode Island and Vermont will be eligible for the 15 years/150,000 mile emission warranty. Delaware, Oregon, Pennsylvania and Washington vehicles are not covered under PZEV emissions control warranty. See your warranty maintenance booklet for additional information. 2 2014 EPA fuel economy estimates. Actual mileage may vary. 3 Requires Alloy Wheel Package. 4 Requires Power Moonroof Package. 5 Activation and required monthly subscription sold separately. Includes 4-month trial subscription. See your dealer. 6 Requires EyeSight Driver-Assist System. 7 EyeSight not available with Crystal Black Silica exterior color. EyeSight is a driver-assist system which may not operate optimally under all driving conditions. The driver is always responsible for safe and attentive driving. System effectiveness depends on many factors such as vehicle maintenance, weather and road conditions. The Pre-Collision Braking System is designed to provide automatic braking that either prevents a collision or reduces the severity of a frontal impact. The Pre-Collision Throttle Management System is designed to reduce acceleration and minimize the severity of certain frontal impact. Adaptive Cruise Control is designed to assist the driver and is not a substitute for safe and attentive driving. The Lane Departure and Sway Warning operates only when the lane markings are visible and its effectiveness depends on many factors. See Owner's Manual for complete details on system operations and limitations. Please remember to turn off EyeSight when going through a carwash. 8 The Supplemental Restraint System (SRS) (airbags) affords the driver and the front and rear outboard passengers additional protection in moderate to severe frontal and side-impact collisions. This system provides supplemental protection only, and seatbelts must be worn in order to avoid injuries to out-of-position occupants upon airbag deployment and to provide the best combined protection in a serious accident. Children should always be properly restrained in the rear seat. 9 Not available with Navigation System Package. 10 Requires Navigation System Package. 11 Compatible smartphone and free Aha app required. For Aha to operate, latest version of Aha application and optional integrated audio and navigation system unit required. Data provided by smartphone is displayed on navigation screen. Some state laws prohibit the operation of handheld electronic devices while operating a vehicle. Smartphone apps should only be launched when vehicle is safely parked. Aha is a trademark of HARMAN International Industries, Incorporated. Your wireless carrier's rates may apply.

2014 Legacy | Accessories



Crossbar Set Fixed — Sedan. May be used in conjunction with most Genuine Subaru roof attachments and carriers. Additional mounting clamps required.



All-weather Floor Mats. Custom-fitted, heavy-gauge protective mats. Helps protect vehicle's carpet from sand, dirt and moisture.

Not intended for use on top of carpeted floor mats.



Trunk Tray. Helps protect trunk area from stains and dirt while providing a surface that helps reduce shifting of cargo while driving.



Body Side Moldings. Attractive color-matched moldings coordinate with the styling of the vehicle, while helping to protect doors from unsightly dings.



Trunk Spoiler. Sleek, low-profile design adds just the right amount of attitude to your Legacy. Comes pre-painted and ready to install.



Auto-dimming Mirror with Compass and HomeLink®. Mirror darkens when headlights are detected from behind the vehicle. Includes a compass and three HomeLink buttons that are programmable for most garage-door openers and other HomeLink-compatible devices.



Fog Lights. Cast a low and wide beam of light to enhance vision in inclement weather.



Side Window Deflectors. Let the fresh air in while helping to keep the weather out. Deflector design includes integrated chrome insert to match window frame trim.

Side Window Deflectors may not be legal in all states. Please check the laws of your state.



Splash Guards. Help protect the vehicle's paint finish from stones and road grime.



Chrome Trunk Trim. Chrome trim replaces the painted panel for the perfect custom touch.



Remote Engine Starter. Allows vehicle to be started by pushing a button from the convenience of home or office (up to 400 feet away depending on obstructions) so that the vehicle interior is more comfortable upon entry. The start/stop button blinks to confirm the engine has started.

A/T only.



Puddle Lights. L.E.D. lights activate when vehicle doors are unlocked using the keyless entry. A soft glow illuminates the ground, aiding entry and exit of the vehicle.

2014 Legacy | Owner Benefits

Protecting Your Investment

Once you're part of our family, we'll be there for you. Every Subaru comes with 24-hour roadside assistance for 3 years or 36,000 miles. If you have trouble on the road, a tow to the nearest Subaru dealership and other services are just a phone call away. And to protect you over the long haul, we offer Added Security®—extended service agreements and maintenance plans that will help protect your car for up to 7 years or 100,000 miles. They're the only mechanical and maintenance plans backed by Subaru, and because we've been backing them for more than 30 years, they're agreements you can trust. Your dealer has full coverage details.

Warranties

New Car Limited Warranty

3 years or 36,000 miles, whichever comes first.

Powertrain Limited Warranty

5 years or 60,000 miles, whichever comes first.

Wear Item Limited Warranty

3 years or 36,000 miles, whichever comes first.

Repairs to the following items will also be covered under Wear Item Limited Warranty:

- Brake Pads
- Wiper Blades
- Clutch Linings
- Transmitter Batteries

Rust Perforation Limited Warranty

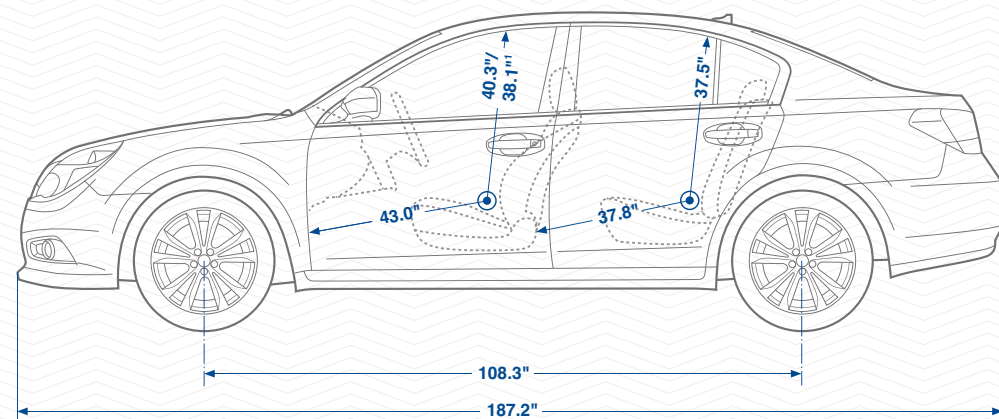
5 years, unlimited mileage.

Subaru Badge of Ownership

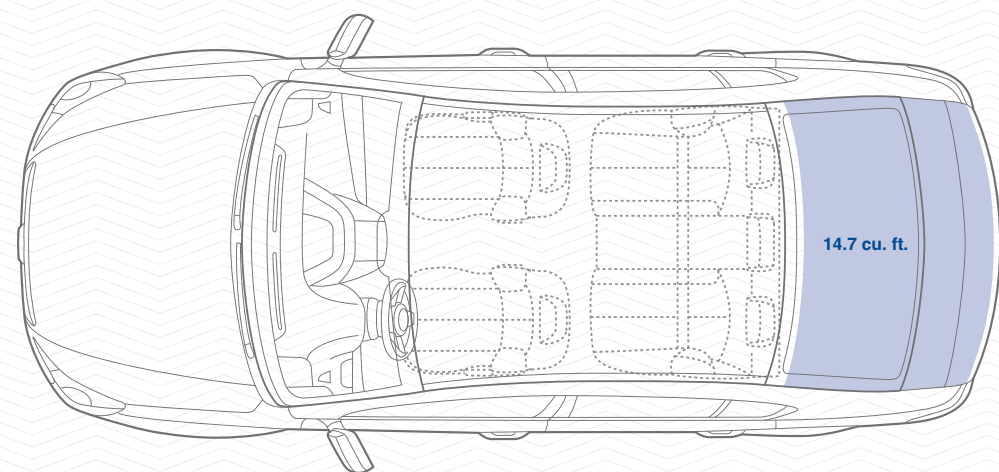
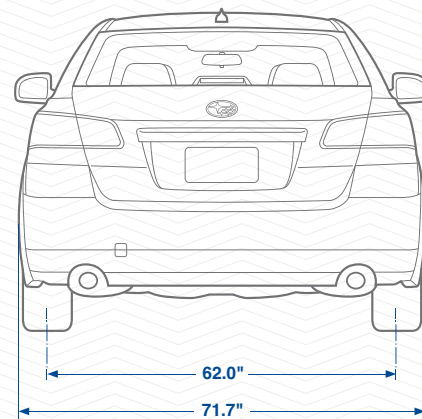
True commitment shows through. For Subaru owners, it shows in kayak scuffs and snowboard scratches. It can take the form of dog hair that just won't come out, fresh coats of dust, or extra coats of wax. For many, the Subaru Badge of Ownership lets them show their commitment to the life they live and the confidence that has inspired them to fully embrace it. Owners can order badges online for free, stick them on their car, and let everyone know how they experience the world. Which one would you get?



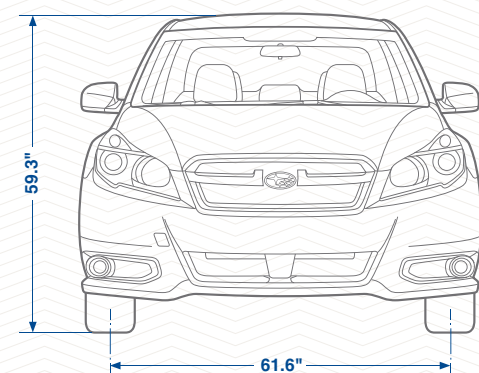
2014 Legacy | Dimensions



Length/Width/Height	187.2 inches/71.7 inches (80.7 including mirrors)/59.3 inches
Wheelbase	108.3 inches
Track (front/rear)	61.6 inches/62.0 inches
Base curb weight (manual/automatic)	2.5i: 3,315 lbs/3,392 lbs 2.5i Premium: N/A/3,388 lbs 2.5i Sport: N/A/3,439 lbs 2.5i Limited: N/A/3,424 lbs 3.6R Limited: N/A/3,545 lbs



Headroom (front/rear)	40.3 inches/37.5 inches (with available moonroof: 38.1 inches/37.5 inches)
Legroom (front/rear)	43.0 inches/37.8 inches
Shoulder room (front/rear)	56.3 inches/56.1 inches
Hip room (front/rear)	54.5 inches/53.9 inches
Passenger volume	103.0 cubic feet (with available moonroof: 100.0 cubic feet)
Trunk volume	14.7 cubic feet



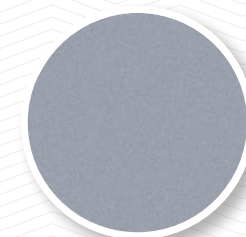
¹ With available moonroof.

2014 Legacy | Colors

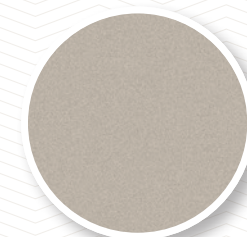
Paint



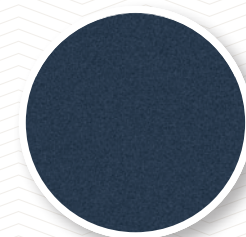
Satin White Pearl



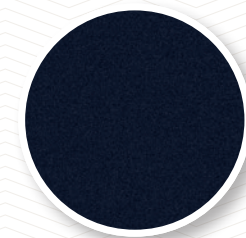
Ice Silver Metallic



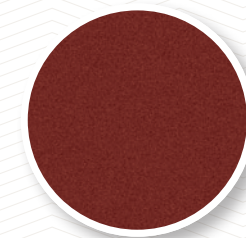
Tungsten Metallic



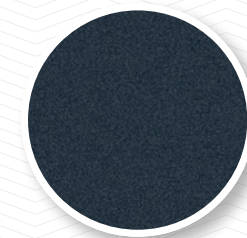
Twilight Blue Metallic



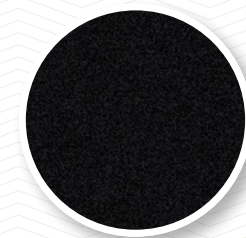
Deep Indigo Pearl



Venetian Red Pearl



Carbide Gray Metallic



Crystal Black Silica⁷

Upholstery



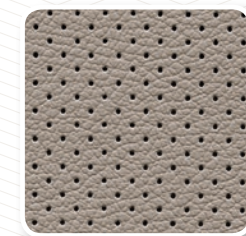
Black Striated Cloth (BSC)



Ivory Striated Cloth (ISC)



Off-Black Leather (OBL)



Warm Ivory Leather (WIL)

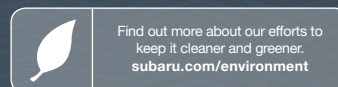
Color Combinations

Color Combinations	2.5i	2.5i Premium	2.5i Sport	2.5i Limited	3.6R Limited
Satin White Pearl	ISC	ISC	BSC	WIL	WIL
Ice Silver Metallic	BSC	BSC	BSC	OBL	OBL
Tungsten Metallic	ISC	ISC	—	WIL	WIL
Twilight Blue Metallic	BSC or ISC	BSC or ISC	BSC	OBL or WIL	OBL or WIL
Deep Indigo Pearl	ISC	ISC	—	WIL	WIL
Venetian Red Pearl	BSC or ISC	BSC or ISC	BSC	OBL or WIL	OBL or WIL
Carbide Gray Metallic	BSC	BSC	BSC	OBL	OBL
Crystal Black Silica ⁷	ISC	ISC	BSC	WIL	WIL

— Not available

Responsible. Reliable. Ready to join the family.

At Subaru, we're committed to building a lasting, rewarding relationship with you and the world we share. We start by building our vehicles to last—it's why 96% of all the vehicles we've built in the last 12 years are still on the road today.¹ We also share your desire for a cleaner, greener world. Select 2014 Legacy and Outback, plus every 2014 non-turbo Forester and Impreza, and XV Crosstrek models achieve Partial Zero Emission Vehicle—PZEV²—status, because of their exceptionally low emissions. What's more, in 2004 Subaru of Indiana Automotive, Inc., (SIA) became the first manufacturing facility in the U.S. to reach zero-landfill status—nothing from its manufacturing efforts ever goes into a landfill. Subaru is headquartered in a zero-landfill office in Cherry Hill, NJ.



¹ Based on Polk U.S. Vehicles in Operation registration information for MY 2001–2013 as of January 2013. ² 2014 Legacy 2.5L models achieving a Partial Zero Emission Vehicle (PZEV) rating by the California Air Resources Board are available in all 50 states. Only those registered in California, Connecticut, Maine, Maryland, Massachusetts, New Jersey, New York, Rhode Island and Vermont will be eligible for the 15 years/150,000 mile emission warranty. Delaware, Oregon, Pennsylvania and Washington vehicles are not covered under PZEV emissions control warranty. See your warranty maintenance booklet for additional information.

Some images shown are for illustration purposes only. Specifications in this brochure are based on the latest product information available at the time of publication. For the most up-to-date and detailed product information, log on to www.subaru.com. Some equipment shown in photography in this brochure is optional at extra cost. Specific options may be available only in combination with other options. Specific combinations of equipment or features may vary from time to time and by geographic area. Certain accessories and equipment may not be available at the time of publication. Subaru of America, Inc., reserves the right to change or discontinue at any time, without notice, prices, colors, materials, equipment, accessories, specifications, models and packages without incurring any obligation to make the same or similar changes on vehicles previously sold. Colors shown may vary due to reproduction and printing processes.

This brochure was prepared by Subaru of America, Inc. A warranty from Subaru of America, Inc., is available only on cars sold to the first retail purchaser through an authorized Subaru dealer in the continental U.S. or Alaska. Every owner of the car during the warranty period shall be entitled to the benefit of these warranties. Subaru, SUBARU BOXER, Lineartronic, Added Security, Hill Holder and Legacy are registered trademarks. Confidence in Motion and Starlink are trademarks of Fuji Heavy Industries, Ltd. EyeSight is a registered trademark of Fuji Heavy Industries, Ltd. Harman Kardon is a registered trademark of HARMAN International Industries, Incorporated. Aha is a trademark of HARMAN International Industries, Incorporated. Bluetooth is a registered trademark of Bluetooth SIG, Inc. HD Radio is a registered trademark of iBiquity Digital Corporation. HomeLink is a registered trademark of Prince Corporation, a wholly owned subsidiary of Johnson Controls. Apple, iPod and iTunes are registered trademarks of Apple Inc. SiriusXM and NavTraffic are registered trademarks of SiriusXM Radio Inc. For more information, contact your Subaru dealer or log on to www.subaru.com.

These brochures were printed with vegetable-based inks and produced using a "Green Printing Process" and FSC® standards. The Forest Stewardship Council™ (FSC) is an international organization that brings people together to find solutions which promote responsible stewardship of the world's forests and environments.

By producing these brochures in a green way rather than by traditional methods, we saved 85 trees preserved for the future; 39,926 gallons of wastewater flow saved; 2,673 lbs solid waste not generated; 7,362 lbs net greenhouse gases prevented; 38,000,000 BTUs energy not consumed. Calculations provided by Environmental Paper Network. FSC® is not responsible for any calculations on saving resources by choosing this paper.

Love. It's what makes a Subaru, a Subaru.

